

TH-LA-C系列超低浴比节能染色机

TH-LA-C SERIES High-temperature and High-pressure Dyeing Machine



短流程、内置式走布管设计的针织布全方位机型。使该机达到高品质的染色效果，并且操作方便、合理，受到印染行业一致好评。

The knitted weaving omnibearing machine model with the design of short process and built-in tube renders the machine high-quality dyeing effect. Besides, it is easy and rational for operation, which has won the unanimous praises in the dyeing industry.

◆主要技术特点

- ★ 染色流程短，布长适中，浴比低至1: 4~6。
- ★ 内置式复合变径式导布管：可将张力降至最小，并且有效清除经向折痕的功能。
- ★ 溢流与喷射水流的喷嘴可供选用；适合布克重从50~600g/m²的各种高档织物染色。
- ★ 机器高度低，张力低，染色后缩水率小，成品码重容易达成。

◆ Main Technical Features

- ★ The dyeing process is short, the length of cloth is appropriate and the bath ratio as low as 1:4 ~ 6.
- ★ The built-in compound variable diameter guide tube: it can reduce the tension to the minimal and effectively remove warp-wise wrinkles.
- ★ You can also choose the overflow and jet flow nozzle: it is suitable for the dyeing of variable high-end fabrics with the weight range of 50~600g/m².
- ★ The height of the machine is low, the tension is low, the shrinkage rate after dyeing is small and the code weight of finished products is easy to be realized.

◆ 系统提供



- 1、自动加料：ANALOG DOSING类比曲线加药分期分批、定时定量加药大、小阀门（快、慢速）加药
- 2、药桶水位自动侦测与控制系统
- 3、循环泵浦强力搅拌，能快速化盐
- 4、自动洗桶、自动洗管路



精铸不锈钢全流量阀门，节省进、排水时间



大容量可编程微电脑控制器（或由客户指定厂牌配置）

自动化程度高，从进水、启动、升温、保温、降温、水洗、加药、搅拌、回水、洗桶、排水、报警、程序完成等均可编入染程作全自动控制。

◆ The system provides

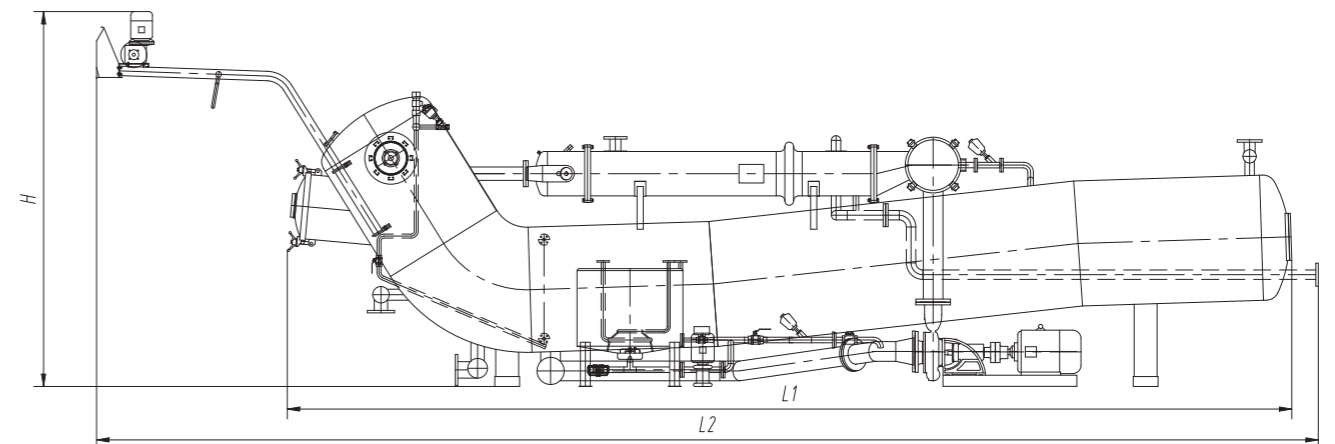
1. Automatic charging: ANALOG DOSING The dosing can be made by periods, batches, time and quantity The dosing can be made through the large valve or small valve (which is corresponding to quick dosing or small dosing)
2. Explosive barrel water level automatic detection and control system
3. Circulating pump can realize powerful stirring, to rapidly dissolve salt.
4. Automatic barrel washing and automatic tube washing.

Precisely cast stainless steel full flow valve It can save the time to inlet and outlet water.

Large capacity programmable microcomputer controller (besides, the configuration can also be made according to the factory brand designated by the client)

The automatic degree is high, it can realize fully automatic control towards the programmable dyeing process from water inlet, launching, temperature rise, temperature saving, temperature drop, water washing, dosage, stirring, water return, barrel washing, water outlet, warning and program fulfillment and so on.

◆ 机器主要规格 Main specifications of machine



型号 Model	管数/槽数 Number of tubes/chembers	最大容布量 Max.Capacity (kg)	外形尺寸 Dimension		
			L(mm)	W(mm)	H(mm)
TH-LA-1C	1/2	300~450	11000	2100	3100
TH-LA-2C	2/4	600~900	11000	3400	3100
TH-LA-4C	4/8	1200~1800	11000	6400	3300